

Twin/Full Footboard Attachment Kit Instructions

Twin/Full Kit Includes:

- (2) Short Adapter Rails
- (2) Headboard Brackets
- (8) Hex Head Bolts
- (8) Tensi-Nuts

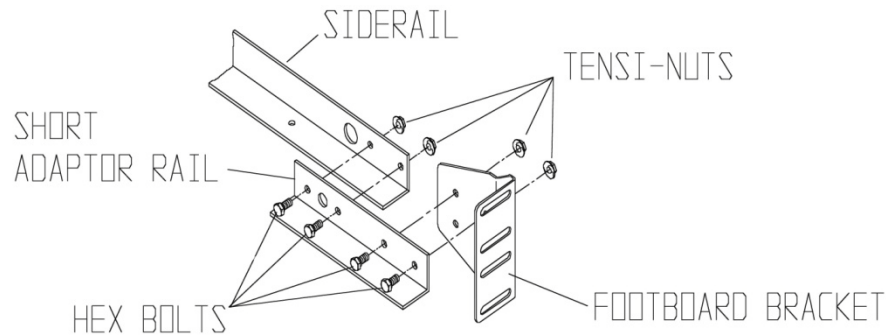
Required Tools:

- 7/16" Wrench
- Adjustable Wrench
- Tape Measure

Please remove your mattress and box spring from the bed before installation. This will make installation of the Footboard Attachment Kit easier and safer. Do not attempt to move the mattress by yourself, get help.

Step 1:

Using the included Hex Head Bolts and Tensi-Nuts, attach one short adaptor rail to the side rail of your bed frame. Tighten tensi-nuts. Repeat on opposite side.



Step 2:

Using remaining Hex Head Bolts and Tensi-Nuts, attach one footboard bracket to the newly installed adaptor rail (as shown above.) Tighten Tensi-Nuts to ensure your footboard will be surely attached. Repeat on opposite size.

These footboard attachment kits attach to your existing headboard-only style bed frame allowing you to attach a bolt-on footboard. Our footboard rail extensions only work on bed frames which have holes in the side-rails for bolting on the footboard brackets. If the holes do not exist or they do not line up, some drilling may be required.

THE LARGE HOLES ON THE RAIL ARE USED WHEN PAINTING THE RAILS. YOU CAN IGNORE THEM.

bedCLAW™