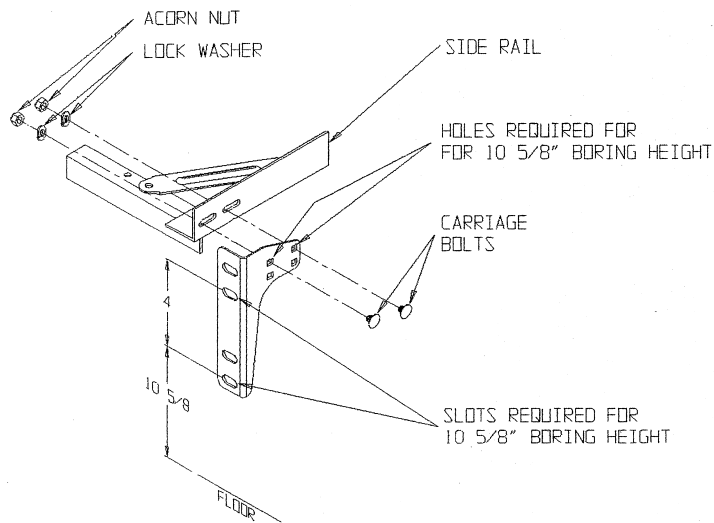
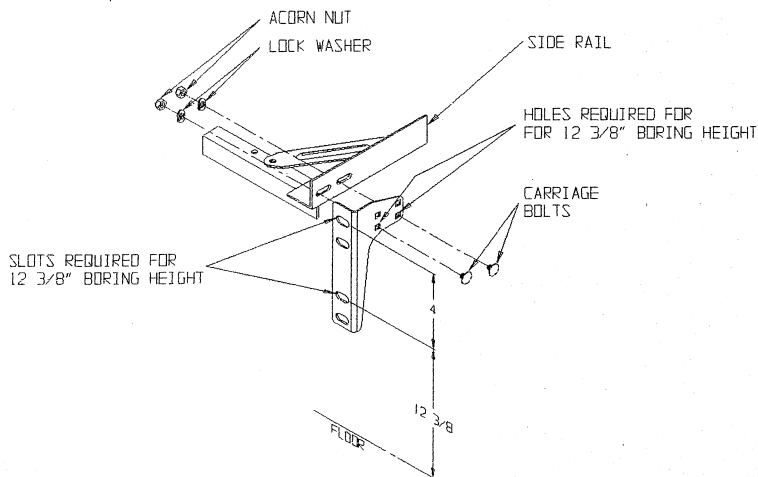


VIEW 1



VIEW 2



ASSEMBLY INSTRUCTIONS 351 BUNK SPRING

STEP 1: Loosely attach headboard brackets to side rails using the carriage bolts, lock washers, and acorn nuts provided.

- For the 10 5/8" boring height, the upper set of mounting holes are used to mount the headboard bracket to the side rail. The lower set of mounting slots are then used to mount the headboard/footboard to the unit. See view 1.
- For the 12 3/8" boring height, the lower set of mounting holes are used to mount the headboard bracket to the side rail. The upper set of mounting slots are then used to mount the headboard/footboard to the unit. See view 2.

Repeat for all four corners.

STEP 2: The assembled unit should look like the drawing shown in view 3. Attach the unit to the headboard and footboard. To adjust the overall length of the unit, allow the headboard brackets to slide within the slots of the side rails. Tighten all bolts.

99300014

1-02-98

VIEW 3

