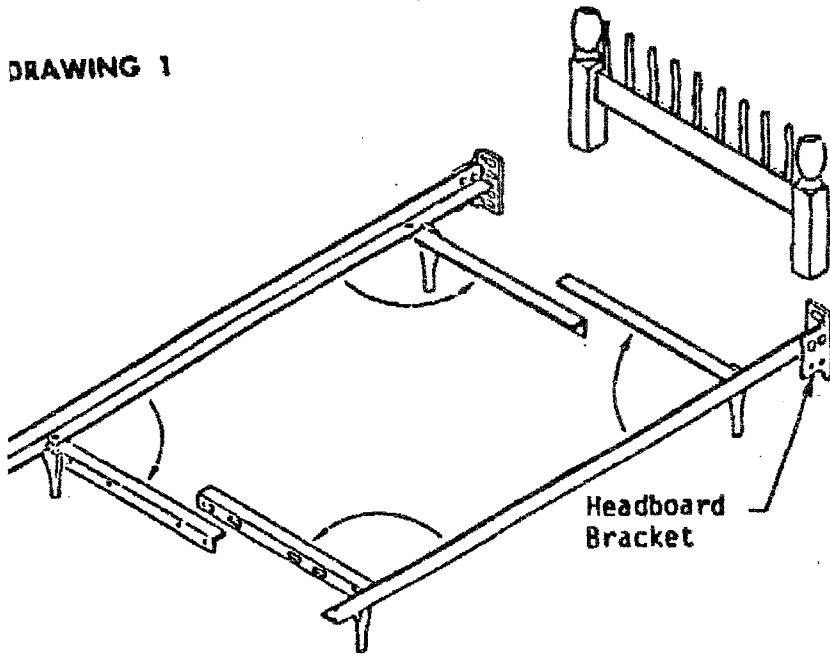
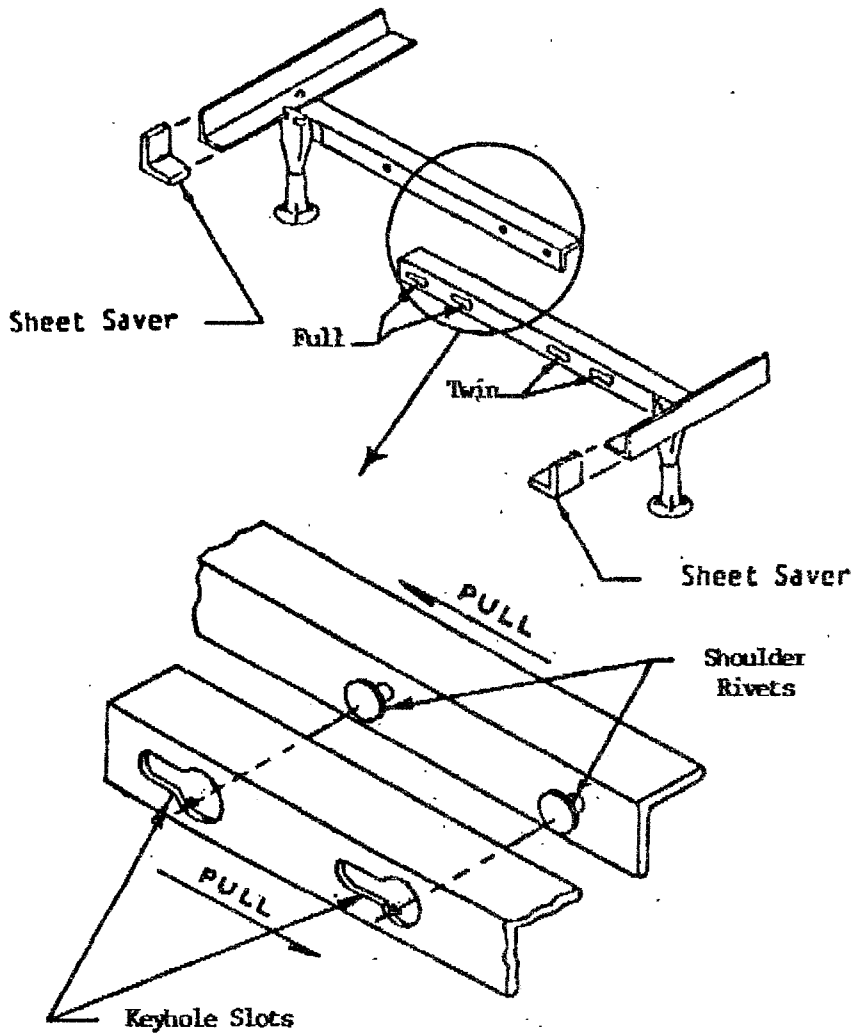


DRAWING 1



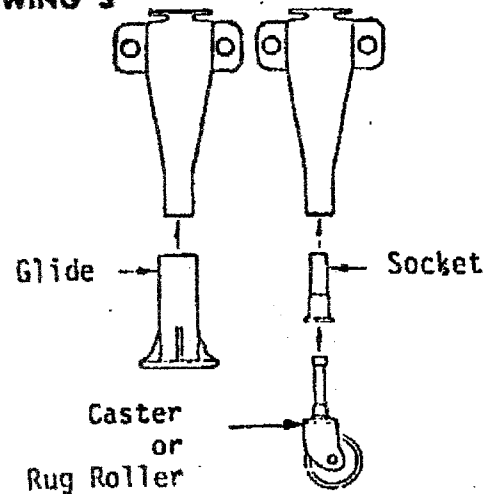
DRAWING 2



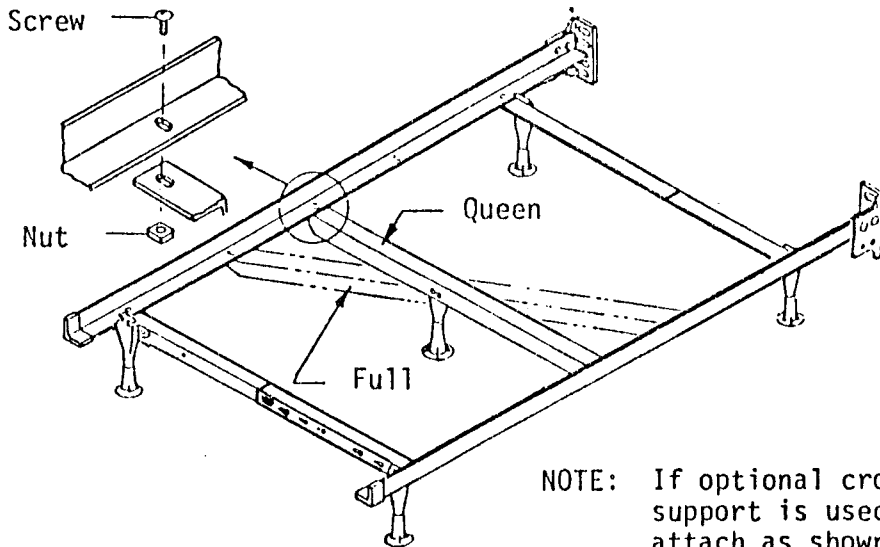
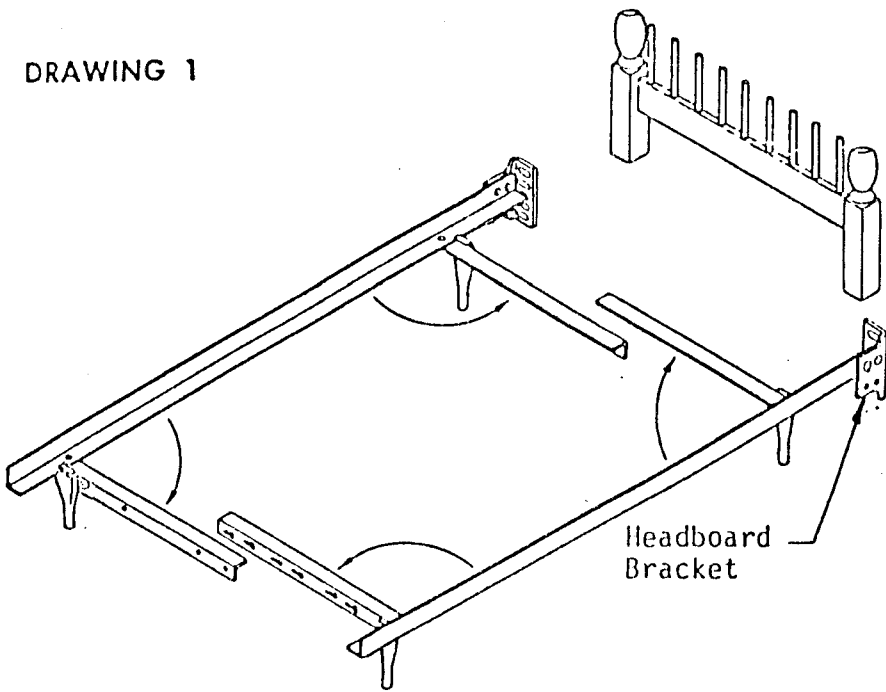
TWIN FULL
ASSEMBLY INSTRUCTIONS

1. Lay out frame as shown in Drawing One, with headboard brackets toward headboard.
2. Lock cross arms together by inserting shoulder rivets into key-hole slots and pulling cross arms outward until cross arms lock. (See Drawing Two.)
3. Attach sheet savers as shown in Drawing Two.
4. Install casters or glides on bottom of legs as shown in Drawing Three. (Note--plastic inserts should be inserted before casters.)

DRAWING 3



DRAWING 1

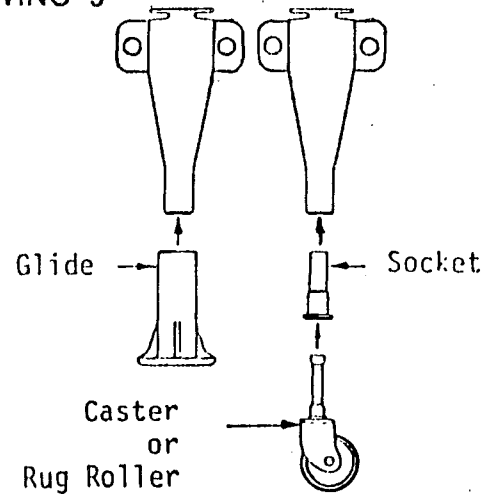


NOTE: If optional cross support is used, attach as shown above.

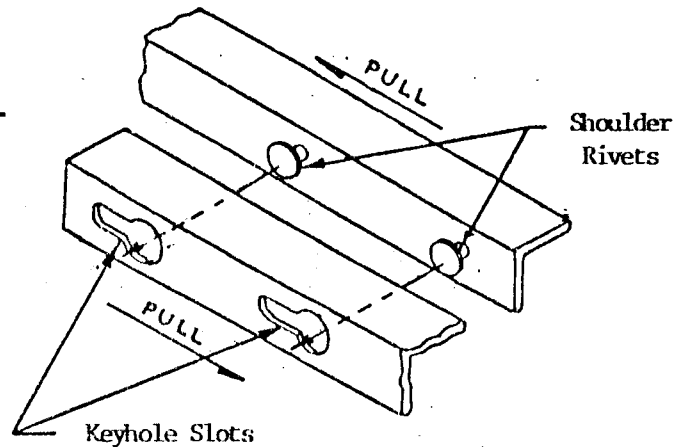
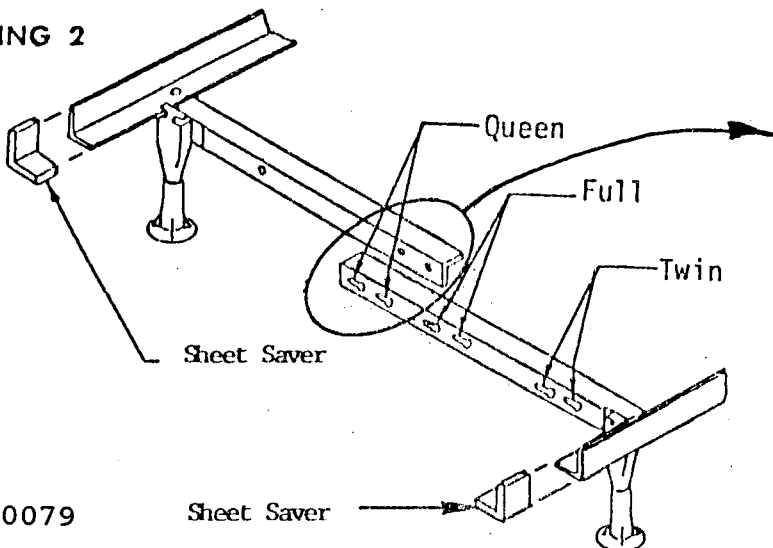
TWIN FULL QUEEN
ASSEMBLY INSTRUCTIONS

1. Lay out frame as shown in Drawing One, with headboard brackets toward headboard.
2. Lock cross arms together by inserting shoulder rivets into key-hole slots and pulling cross arms outward until cross arms lock. (See Drawing Two.)
3. Attach sheet savers as shown in Drawing Two.
4. Install casters or glides on bottom of legs as shown in Drawing Three. (Note--plastic inserts should be inserted before casters.)

DRAWING 3



DRAWING 2



99300079

52-79-91