

Dear Customer:

The employees of Leggett & Platt would like to thank you for your purchase of our products.

Leggett & Platt has been manufacturing bedding support products for over one hundred years, and from the beginning our name has been synonymous with quality and dependability.

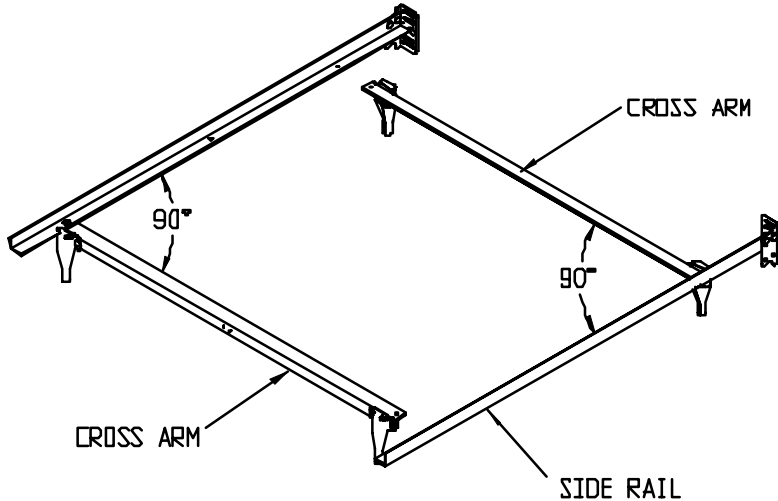
Once again, thank you for your purchase and in the future, when you have a need for bed frames, bed rails, rollaway beds, trundles, or adjustable beds, we hope you will once again depend on Leggett & Platt.

Sincerely,

The employees of Leggett & Platt, Inc.

FIXED-WIDTH BEDFRAME ASSEMBLY INSTRUCTIONS

DRAWING 1



Step 1: Swing out cross arms to 90 degrees as shown in Drawing 1.

Step 2: Slide sheet savers onto end of side rails as shown in Drawing 2.

Step 3: Attach cross arms and cross support to side rails using nuts & bolts as shown in Drawing 2. *Note: Cross support is included with queen-size bedframes only.*

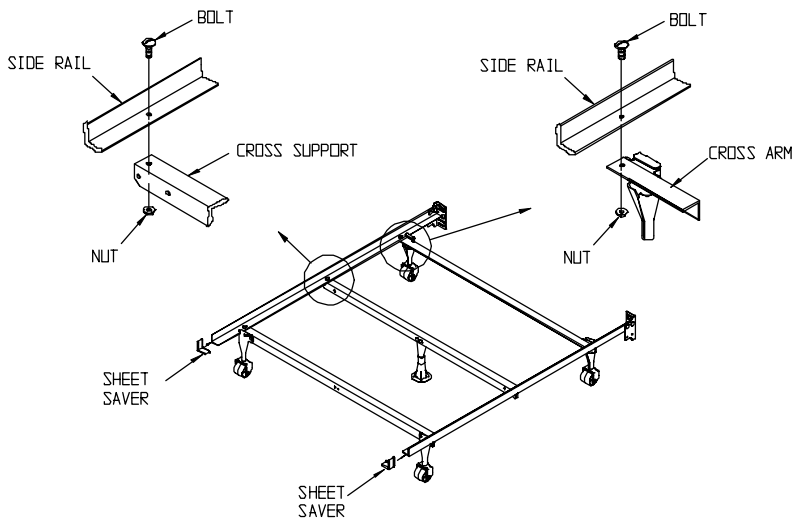
Step 4: Install foot attachments as shown in Drawing 3.

P.N.99300164

04-28-00

DRAWING 2

Note: Cross support is included with queen-size bedframes only.



DRAWING 3

