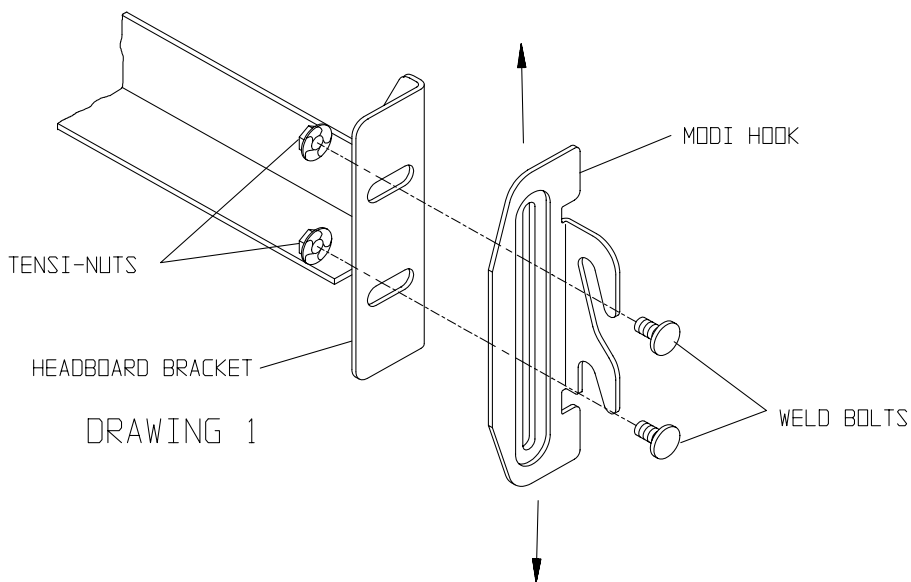


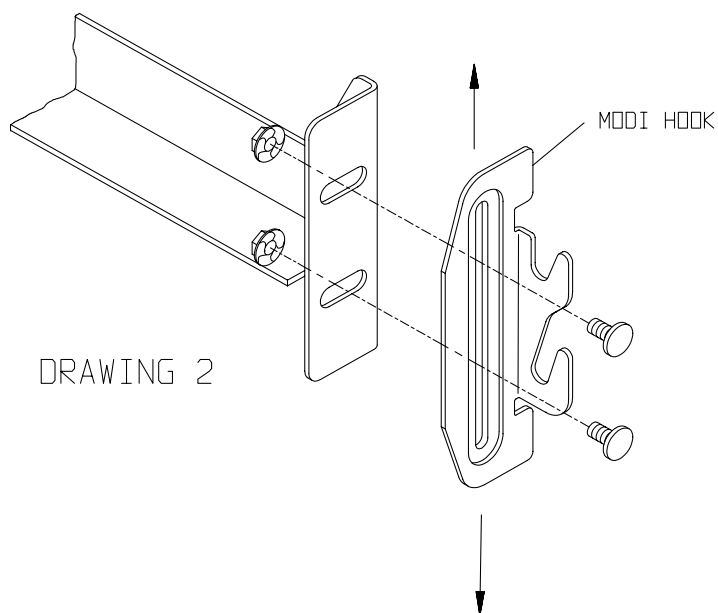
#35 ADJUSTABLE HOOK ASSEMBLY INSTRUCTIONS



STEP 1 ATTACH MODI HOOK TO HEADBOARD BRACKET WITH WELD BOLTS AND TENSI-NUTS AS SHOWN IN DRAWING 1. THE MODI HOOK CAN BE ADJUSTED UP AND DOWN AS MUCH AS 2".

STEP 2 REPEAT STEP ONE FOR OTHER HEADBOARD BRACKETS. MAKE SURE TO MEASURE THE HEIGHT OF EACH MODI HOOK BEFORE ATTACHING THE NEXT ONE SO THEY ARE THE SAME.

STEP 3 THE MODI HOOKS CAN BE ATTACHED UPSIDE DOWN IF SO DESIRED. SEE DRAWING 2.



PN-99300175