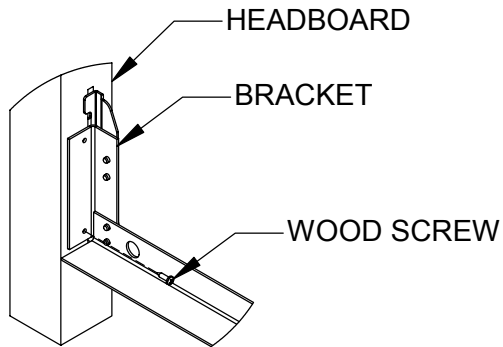


# DROP RAIL ASSEMBLY INSTRUCTIONS

**Figure 1**

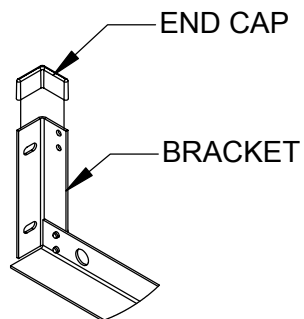


## ***For Hook-On Drop Rails***

**Step 1:** Attach each BRACKET to headboard and footboard. Make sure that the hook-on brackets grip the post pins.

**Step 2:** Install WOOD SCREWS in the bottom holes of BRACKETS as shown in Figure 1.

**Figure 2**



## ***For Bolt-On Drop Rails***

**Step 1:** Attach END CAPS to each BRACKET as shown in Figure 2.

**Step 2:** Bolt BRACKETS to headboard and footboard.

 INCORPORATED		
DATE 5-06-04	DWG. NO. <b>99300271</b>	
DO NOT SCALE DRAWING		SHEET 1 OF 1