

1005 ASSEMBLY INSTRUCTIONS

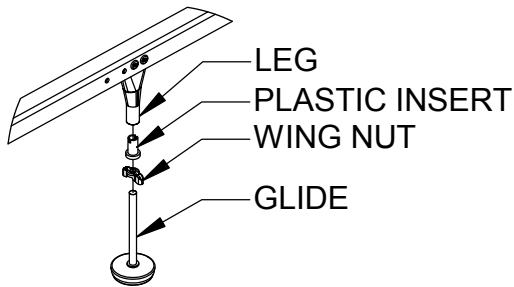


Figure 1

Step 1: Tap PLASTIC INSERTS into LEGS of bed frame. With flat surface up, screw WING NUTS onto GLIDES. Thread GLIDES into the PLASTIC INSERTS. See Figure 1.

Step 2: Loosely bolt SIDE RAILS to headboard and footboard. Swing CROSS ARMS out 90 degrees. Loosely thread L-SCREWS into CLAMPS and slide CLAMPS onto CROSS ARMS as indicated in Figure 2.

Step 3: Overlap CROSS ARMS. Slide CLAMP onto overlapped CROSS ARMS. Position CLAMP one inch from edge of lower CROSS ARM as shown in Figure 3.

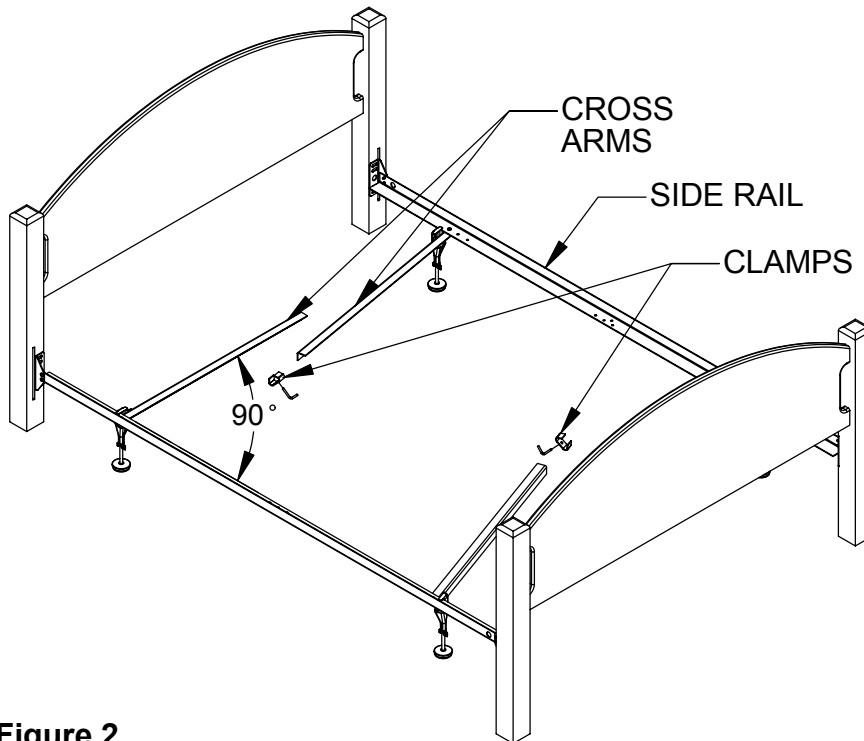


Figure 2

Step 4: Attach CROSS SUPPORT to SIDE RAILS as shown in Figure 4. Tighten all nuts, bolts, and L-screws.

Step 5: Adjust height of GLIDES so that they touch the floor. **Note: There must be at least one inch of the glide stem in the plastic insert.**

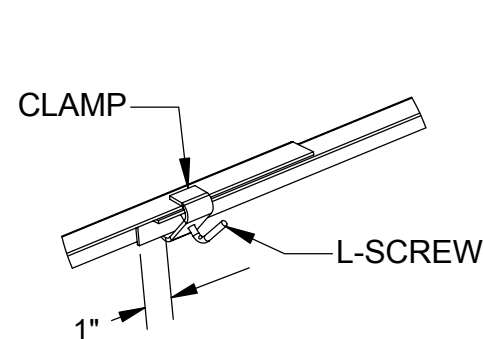


Figure 3

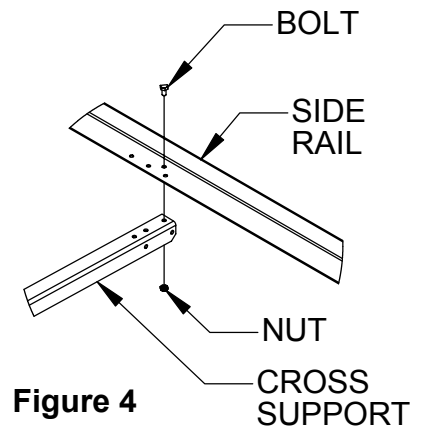


Figure 4

Leggett & Platt
INCORPORATED

DATE
3-14-03

DWG. NO. **99300435**

DO NOT SCALE DRAWING SHEET 1 OF 1