

Footboard Attachment Kit Instructions

Twin/Full Kit Includes:

- (2) Short Adapter Rails
- (2) Headboard Brackets
- (8) Hex Bolts
- (8) Tensi-Nuts

Queen/King Kit Includes:

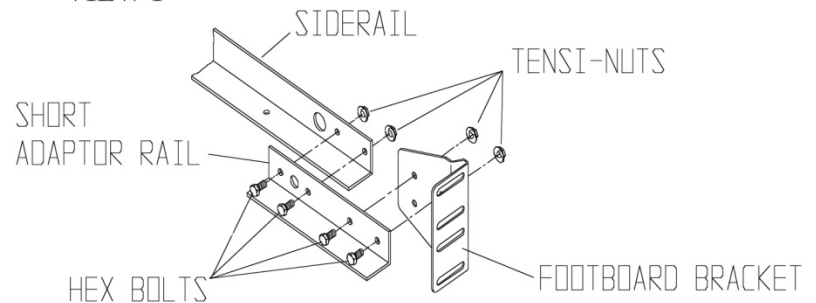
- (2) Long Adapter Rails
- (2) Headboard Brackets
- (8) Hex Bolts
- (8) Tensi-Nuts

These footboard attachment kits attach to your existing headboard-only style bed frame allowing you to attach a bolt-on footboard. Our footboard rail extensions only work on bed frames which have holes in the side-rails for bolting on the footboard brackets; otherwise, some drilling may be required.

Model TF3/3 Footboard Attachment Kit For Twin/Full Bed Frames:

Using hex bolts and tensi-nuts, attach short adaptor rail to side rail and attach footboard bracket to adaptor rail as shown in View 1. Tighten tensi-nuts. Repeat on opposite side.

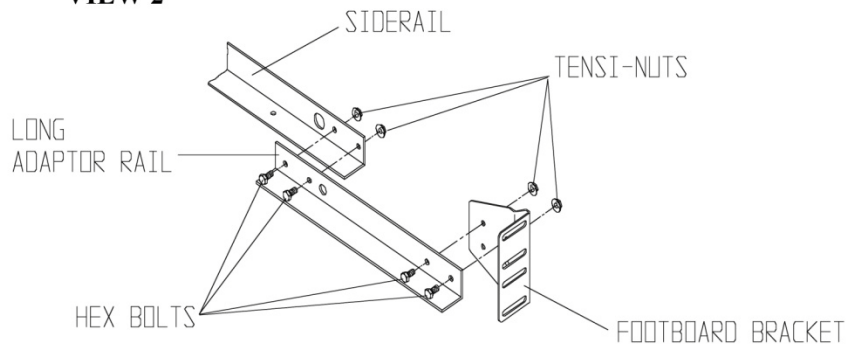
VIEW 1



Model QK5/0 Footboard Attachment Kit For Queen/King Bed Frames:

Using hex bolts and tensi-nuts, attach long adaptor rail to side rail and attach footboard bracket to adaptor rail as shown in View 2. Tighten tensi-nuts. Repeat on opposite side.

VIEW 2



THE LARGE HOLES ON THE RAIL ARE USED WHEN PAINTING THE RAILS. YOU CAN IGNORE THEM.