

PLX-18G Leg Extension Kit w/ Glides

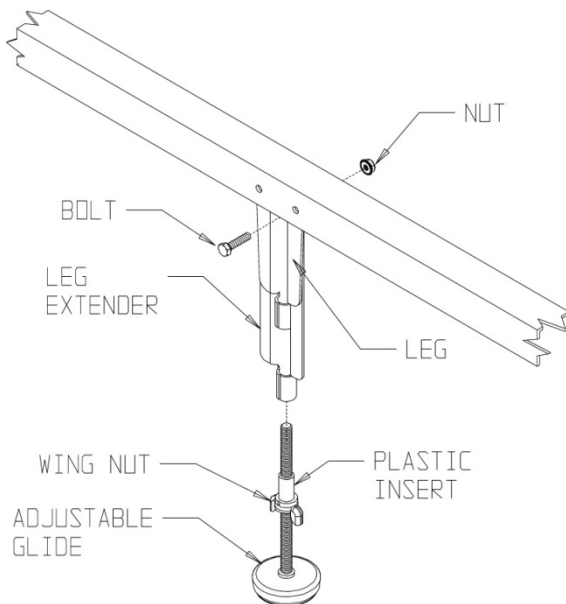
Installation Instructions

Tools Required

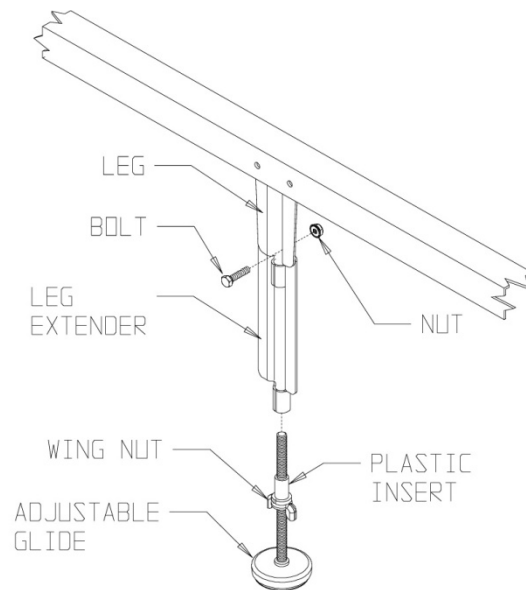
- 7/16" Wrench
- Flashlight
- Adjustable Wrench
- Tape Measure

Please remove your mattress and box spring from the bed before installation. This will make installation of the PLX-18G Leg Extension Kit easier and safer. Do not attempt to move the mattress by yourself, get help.

1. Determine the height from the floor to the bottom of the boxspring.
 - 1.1. For heights of 11"-14", bolt the leg extension to the leg of the bed, using the hole positioned at the TOP of the leg. See View 1.
 - 1.2. For heights of 14"-18", bolt the leg extension to the leg of the bed using the hole positioned at the BOTTOM of the leg. See View 2.
2. Tap the glide assembly into leg extension until the plastic insert is fully seated.
3. After bed frame/rail and cross supports have been fully assembled and secured, adjust glide height to clear floor or carpet surface by ¼ inch. Lock glides in place by turning wing nuts right against the plastic inserts.



View 1



View 2

