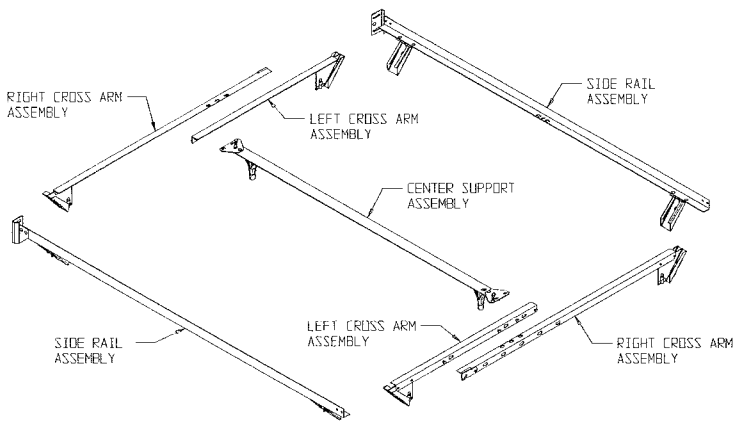


SF56R

ASSEMBLY INSTRUCTIONS

VIEW 1



STEP 1: Lay frame out on floor as shown in View 1. Make sure to have one right cross arm assembly (with latch) and one left cross arm assembly at each end of the frame.

STEP 2: Align shoulder rivets in the left cross arm with the appropriate keyhole in the right cross arm. *For queen size bedding, see View 2. For king size and California king size bedding, see View 3.* Insert shoulder rivets into keyholes as shown in Detail A. Pull cross arms apart and swing latch down to the locked position as shown in Detail B.

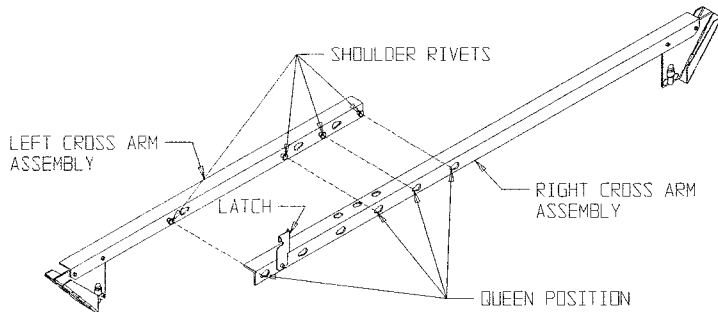
STEP 3: Insert inner leg at the end of each assembled cross arm into the outer leg on each side rail as shown in Detail C.

STEP 4: Assemble center support by inserting tabs into slots and sliding sideways until spring clip locks into slot. See View 4 for placement of cross support.

STEP 5: Place the sheet savers on the end of the side rails as shown in View 4. **Warning: Sheet Savers must be placed over the sharp corners of the side rail to avoid serious bodily injury.**

STEP 6: Insert rug rollers and locking rug rollers as shown in Detail D. **Note:** Insert the locking rug rollers into the legs at the foot of the bed.

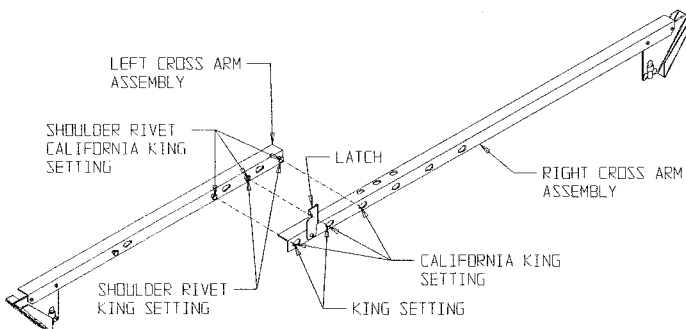
VIEW 2



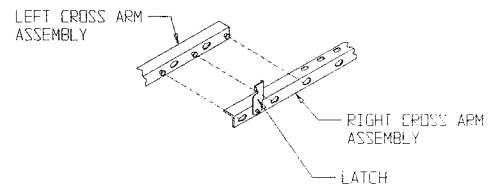
99300605

1-24-01

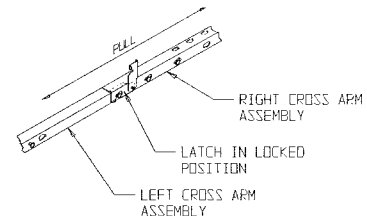
VIEW 3



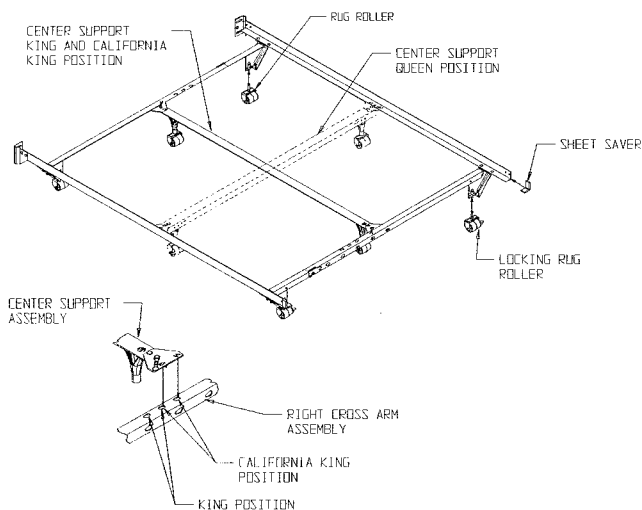
DETAIL A



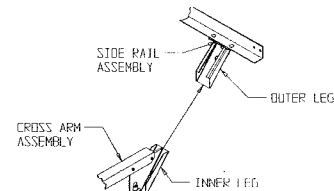
DETAIL B



VIEW 4



DETAIL C



DETAIL D

