

Uni-Lift Assembly Instructions

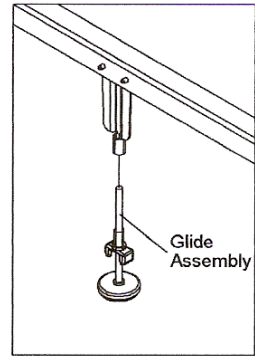
Step 1 Tap glide assembly into legs of cross supports until plastic insert is fully seated. See View 1.

Step 2 Place cross supports between side rails approximately 25-30 inches apart as shown in View 2. The middle cross support should be positioned halfway between the headboard and footboard of the bed. Slide extension rails out so that the support rail is centered between side rails.

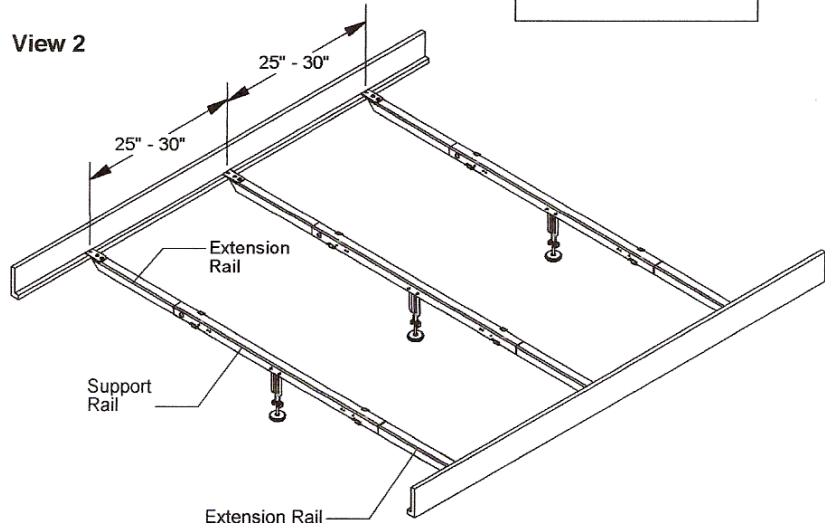
Step 3 Secure cross supports to side rails as detailed in View 3. Tighten L-screws on all clamps.

Step 4 After bed rails and cross supports have been fully assembled and secured, adjust glide height to clear the floor or carpet surface by 1/8 inch. Lock glides in place by turning wing nuts tight against the plastic inserts.

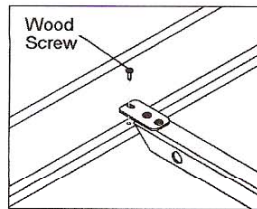
View 1



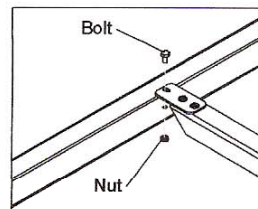
View 2



View 3



Wooden Side Rails



Metal Side Rails