

GL10 ASSEMBLY INSTRUCTIONS

For Inst-A-Matic Bedframes:

Step 1: Insert stem of GLIDE EXTENSION into leg of bedframe and place BASE onto GLIDE EXTENSION as shown in Figure 1.

Step 2: Make sure that the notch of the GLIDE EXTENSION is turned so that the leg of the bedframe is properly inserted as detailed in Figure 2.

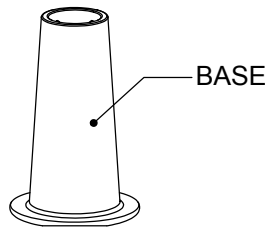
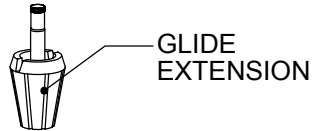
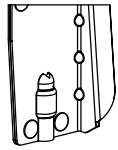


Figure 1

For standard bedframes:

Step 1: Tap PLASTIC INSERT into leg of bedframe. Insert stem of GLIDE EXTENSION into PLASTIC INSERT and place BASE onto GLIDE EXTENSION. See Figure 3.

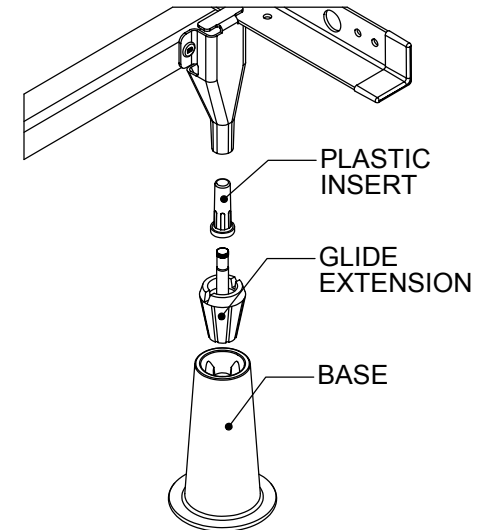


Figure 3

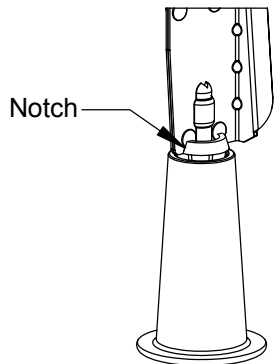


Figure 2