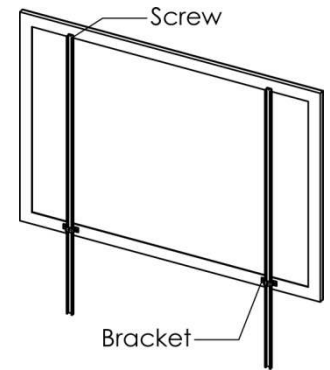


# Instructions for Attaching Mirror Supports

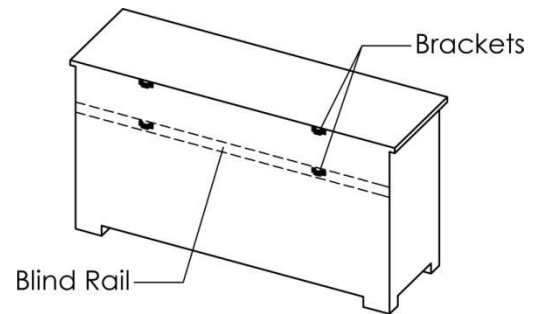
## Step 1

- Attach each support to the back of your mirror frame using one screw and the top and one bracket at the bottom, as shown.



## Step 2

- Determine placement of dresser brackets on back of dresser so that they will be vertically aligned with brackets on the mirror
- Fasten two brackets at the top edge of the dresser and fasten two brackets to the “blind rail” as detailed in the picture.
- *Important: Make sure brackets are securely fastened to the solid “blind rail”*



## Step 3

- Loosen the four set screws in the brackets on the dresser
- Insert mirror supports, attached to the mirror, through the brackets
- Move mirror to the desired height and tighten the screws

